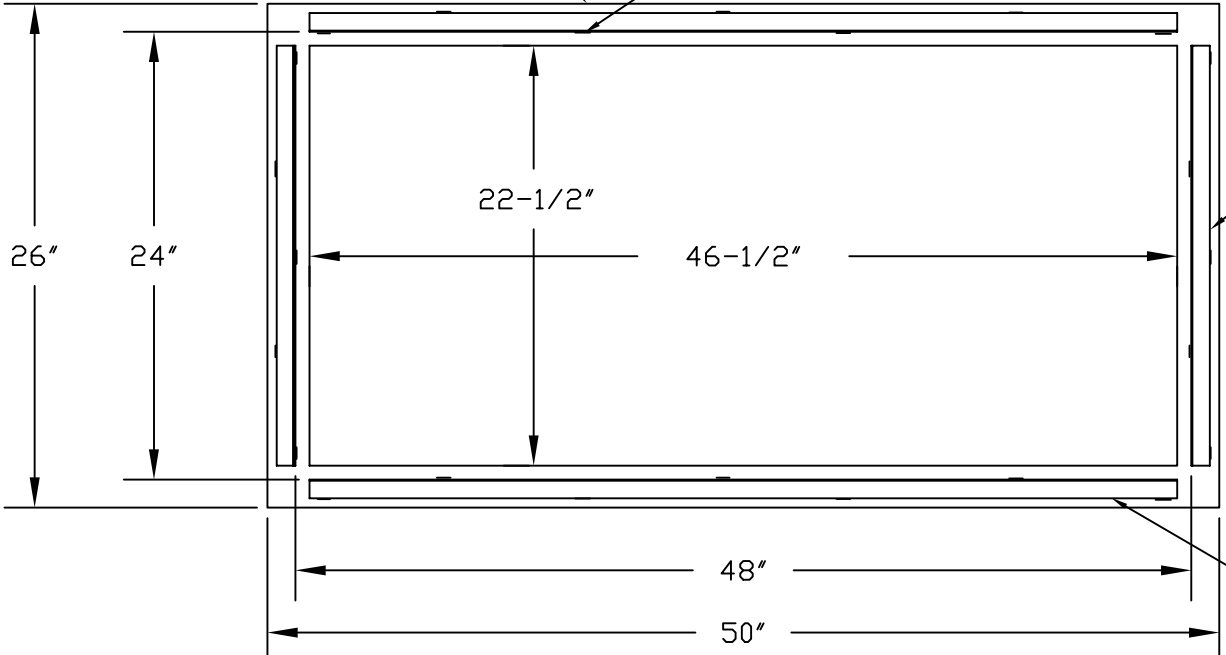


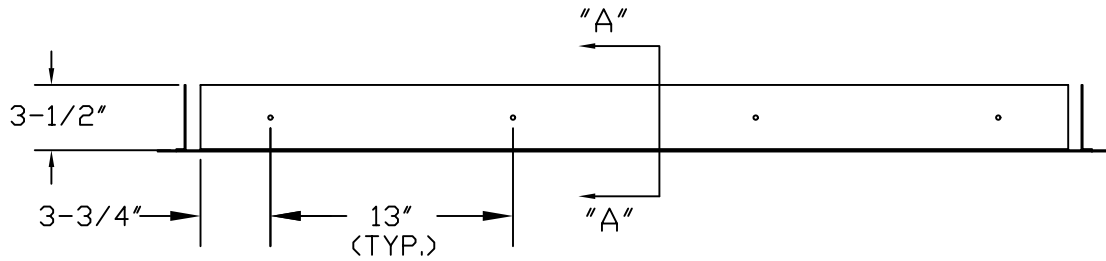
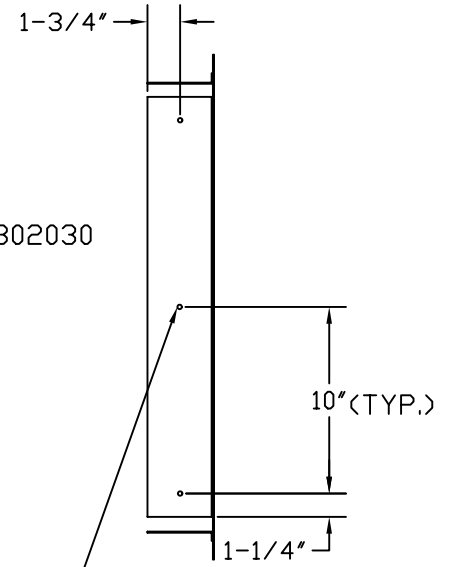
CEILING ADAPTER BASE
FFI PART #09302029
(1 REQ'D)

1/4" LONG TACK WELDS STAGGERED
APPROX. 10" APART (CLEAN WELDS & REMOVE
BURN THRU)

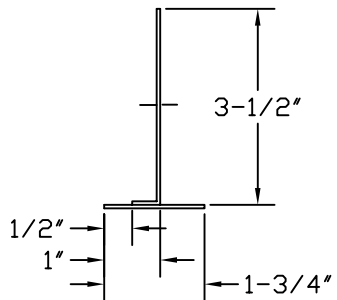


END ANGLE
FFI PART #09302030
(2 REQ'D.)

SIDE ANGLE
FFI PART #09302031
(2 REQ'D.)



MATERIAL: 16 GA. T-304 S/S SHEET
SIZE 48" X 96" ACCT. #02040300



"PARTIAL SECTION "A-A"

EQUIPMENT ITEM NO: E0700611

This drawing and the information contained thereon is the property of Flanders Filters, Inc. and cannot be reproduced in whole or in part, nor delivered to others without the express written permission of Flanders Filters, Inc.

CUSTOMER _____

CUSTOMER ORDER NO. _____

FLANDERS ORDER NO. _____

DR: <u>W. EVERETT</u>	DATE <u>5/18/94</u>	SCALE <u>3/32"=1"</u>
CK: <u>W&B</u>	<u>5/18/94</u>	TOL.
APPR: <u>SK</u>	<u>5/18/94</u>	<u>±1/16"</u>

TITLE: CEILING ADAPTER FRAME 2X4
STAINLESS STEEL

A	WAS DWG #CSAA-04394-1 ADD FLAT PART #'S	6/29/95 BLD	ACL RBS
REV.	DESCRIPTION	DATE	APPR.

FLANDERS FILTERS, INC. WASHINGTON, N.C.	DRAWING NO. <u>E0700611</u>	REV. <u>A</u>
--	--------------------------------	------------------