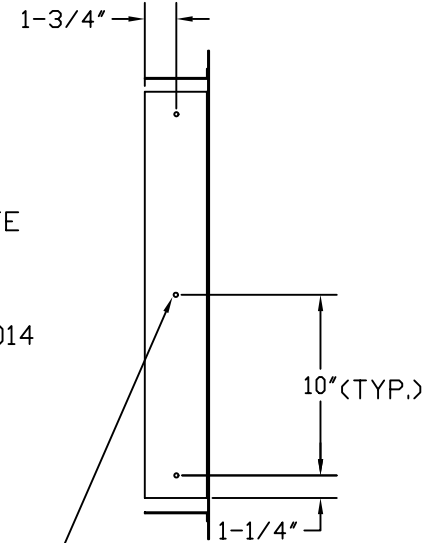
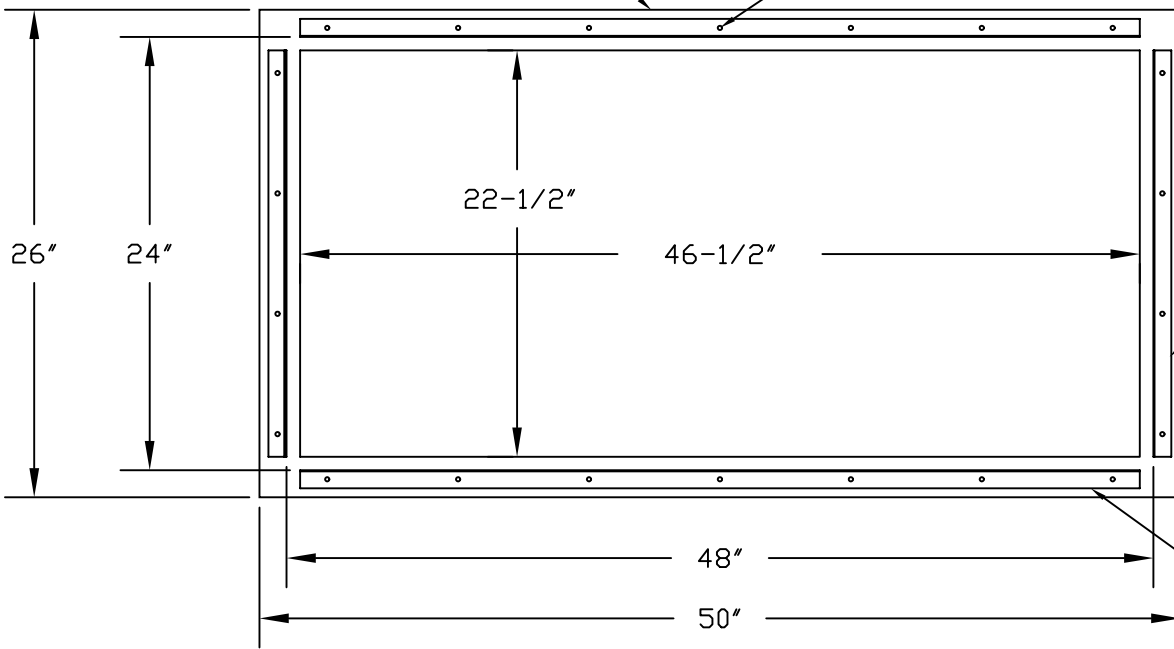
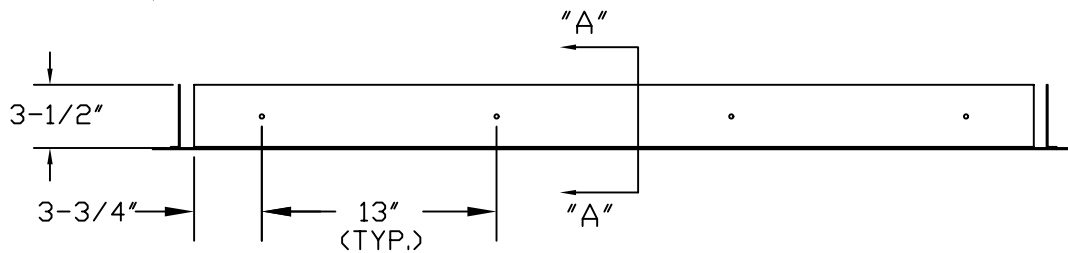


CEILING ADAPTER BASE
PART #09302013
(1 REQ'D)

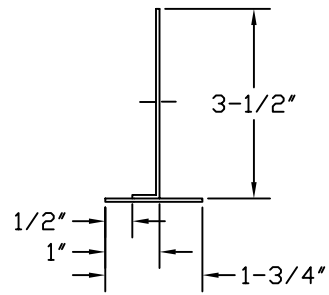
1/4" SPOT WELDS FOUR SIDES
APPROX. 7" APART (CLEAN WELDS &
REMOVE BURN THRU BEFORE PAINTING)



.187 DIA. HOLES
(14 REQ'D)



MATERIAL: 16 GA. CRS SHEET
SIZE 48" X 120" ACCT. #02042700



"PARTIAL SECTION "A-A"

EQUIPMENT ITEM NO: E0700610

This drawing and the information contained thereon is the property of Flanders Filters, Inc. and cannot be reproduced in whole or in part, nor delivered to others without the express written permission of Flanders Filters, Inc.

CUSTOMER _____

CUSTOMER ORDER NO. _____

FLANDERS ORDER NO. _____

DR: <u>W. EVERETT</u>	DATE <u>5/18/94</u>	SCALE <u>3/32"=1"</u>
CK: <u>W&B</u>	<u>5/19/94</u>	TOL.
APPR: <u>W&B</u>	<u>5/19/94</u>	<u>±1/16"</u>

TITLE: CEILING ADAPTER FRAME 2X4 COLD ROLLED STEEL PAINTED		
FLANDERS FILTERS, INC. WASHINGTON, N.C.	DRAWING NO. <u>E0700610</u>	REV. <u>B</u>

B	WAS DWG HCFA2448	LEH 10/24/02	W&B D&P
A	WAS DWG #CSAA-04294-1, MATERIAL #02042500 (48" X 96")	6/6/95 BLD	W&B AC2
REV.	DESCRIPTION	DATE	APPR.