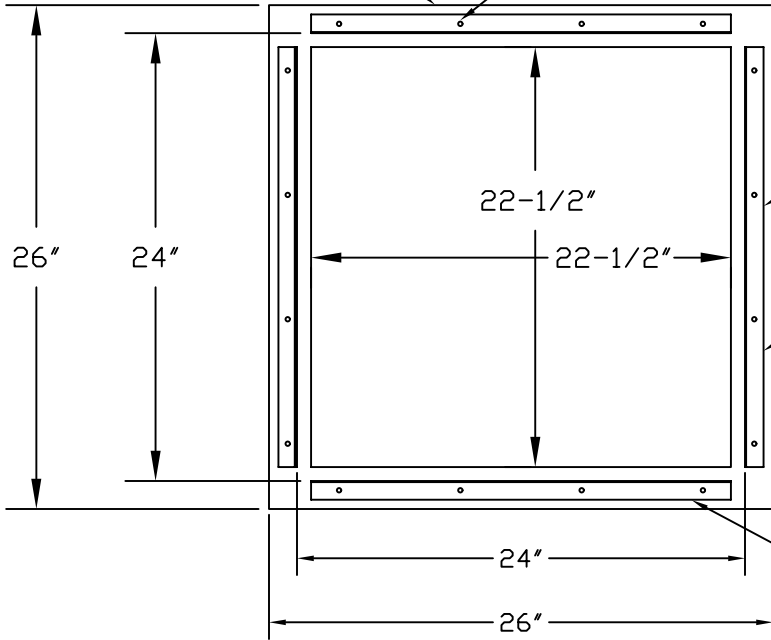


CEILING ADAPTER BASE
PART #09302016
(1 REQ'D)

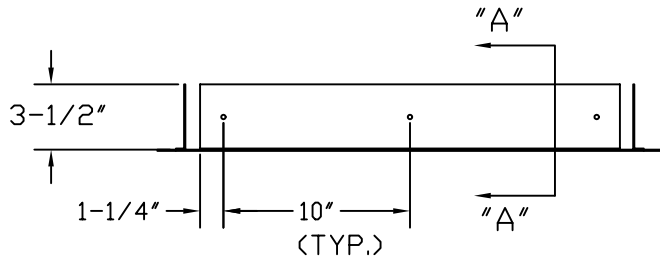
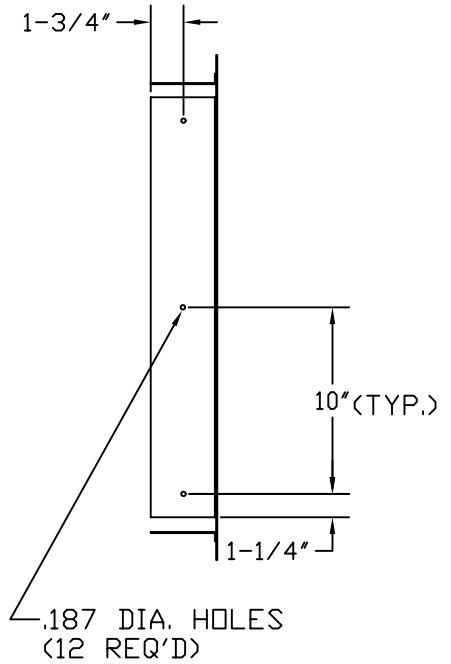
1/4" SPOT WELDS FOUR SIDES
APPROX. 7" APART (CLEAN WELDS &
REMOVE BURN THRU BEFORE PAINTING)



NOTE:
FRAME TO BE
PAINTED WHITE

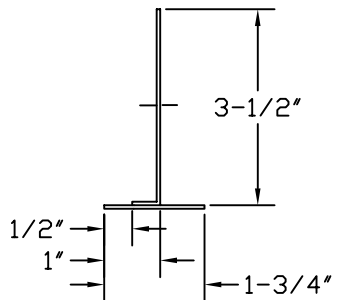
END ANGLE
PART #09302014
(2 REQ'D)

SIDE ANGLE
PART #09302017
(2 REQ'D)



MATERIAL: 16 GA. CRS SHEET
SIZE 48" X 120" ACCT. #02042700

#E0701011



"PARTIAL SECTION "A-A"

EQUIPMENT ITEM NO: E0701011

This drawing and the information contained thereon is the property of Flanders Filters, Inc. and cannot be reproduced in whole or in part, nor delivered to others without the express written permission of Flanders Filters, Inc.

CUSTOMER _____

CUSTOMER ORDER NO. _____

FLANDERS ORDER NO. _____

DR: <u>B. DUNN</u>	DATE <u>6/6/95</u>	SCALE <u>3/32"=1"</u>
CK: <u>WSS</u>	<u>6/6/95</u>	TOL. _____
APPR: <u>RBD</u>	<u>6/6/95</u>	<u>±1/16"</u>

TITLE: CEILING ADAPTER FRAME 2X2
COLD ROLLED STEEL PAINTED

FLANDERS FILTERS, INC. WASHINGTON, N.C.	DRAWING NO. <u>E0701011</u>	REV. _____
--	--------------------------------	---------------

REV.	DESCRIPTION	DATE	APPR.
------	-------------	------	-------