



Pureflo-FPM HEPA/ULPA Fan/Filter Module

INSTALLATION, OPERATION, AND MAINTENANCE INSTRUCTIONS

The **Pureflo-FPM** is an energy efficient, self-contained, lightweight low profile fan/filter module. It consists of a backward-curved centrifugal fan supported within an airflow baffle to achieve uniform velocity distribution and very low noise levels. It is furnished standard with a 2" dimple pleat HEPA/ULPA filter and an optional room-side replaceable HEPA/ULPA filter. The roomside replaceable filter utilizes a 3" pack to provide the same media area and static pressure as the standard filter. The standard filter cover plate and filter frame are manufactured of fabricated aluminum; the room-side replaceable cover plate is manufactured of fabricated aluminum, the FPM frame and gel seal filter frame are anodized extruded aluminum.

Installation Instructions

The standard **Pureflo-FPM** is shipped complete in a cardboard carton. The room-side replaceable **Pureflo-FPM** is shipped without the gel seal filter installed; the filter is shipped in its own carton to protect it from damage and maintain cleanliness of the seal. The filter should be ordered separately when placing original orders. The transition duct collar will be attached to the **Pureflo-FPM** and also requires assembly to the unit. The addition of the collar nullifies the UL rating for this product.

STEP 1. Remove all items from their cartons, except the gel seal filter. The gel seal filter will be removed from its carton and installed after the fan section has been mounted in the ceiling and the wiring connected.

STEP 2. Mount the standard **Pureflo-FPM** or the roomside replaceable fan and housing (less filter) into the tee-bar ceiling and adjust or level the unit so there is minimum gap. Use caulking or gasket material at the peripheral surface where the filter housing and the mounting surface meet to eliminate all leakage paths. If gasket material is required, it can be installed by the factory at minimal charge (black or white Poly-B). If required, make seismic connections to the eyebolts at the housing corners. The unit may also be mounted suspended below the ceiling using the eyebolts.

CAUTION-TO REDUCE THE RISK OF INJURY TO PERSONS, INSTALL THE UNIT AT LEAST 7 FEET ABOVE GRADE OR IN CEILING

STEP 3. Bring the correct power supply to the **Pureflo-FPM** junction box. (115 vac, 60 Hz; 5 amp (1/3 HP motor) branch circuit per unit. Follow local electrical codes for wiring. Before making any connections, make sure the power on/off toggle switch is in the off position.

NOTE: For standard units, skip directly to Step 6.

STEP 4. For room-side replaceable units, remove the filter from its carton, and place it on a table or cart where damage is unlikely.

STEP 5. Check the knife-edges on the filter housing mounted in the ceiling to make sure the edges are straight and contamination free. Remove the six acorn nuts and nylon washers from the filter housing. Using two people on opposite ends of the filter, raise the filter into place, passing the studs on the filter housing through the holes in the gel seal filter frame. Once in the filter is in position, place the nylon sealing washers onto the studs first, then start the acorn nuts at all six locations. Tighten with a ratchet wrench until snug in place.

CAUTION: DO NOT OVER-TIGHTEN. THE FILTER SEAL IS PROVIDED BY THE KNIFE EDGE IN THE GEL, AND DOES NOT DEPEND ON CLAMPING FORCE.

STEP 6. Turn on the unit and set the airflow by turning the speed control switch clockwise from “high” until the desired airflow is achieved. The recommended level is 90-fpm +/- 20%.

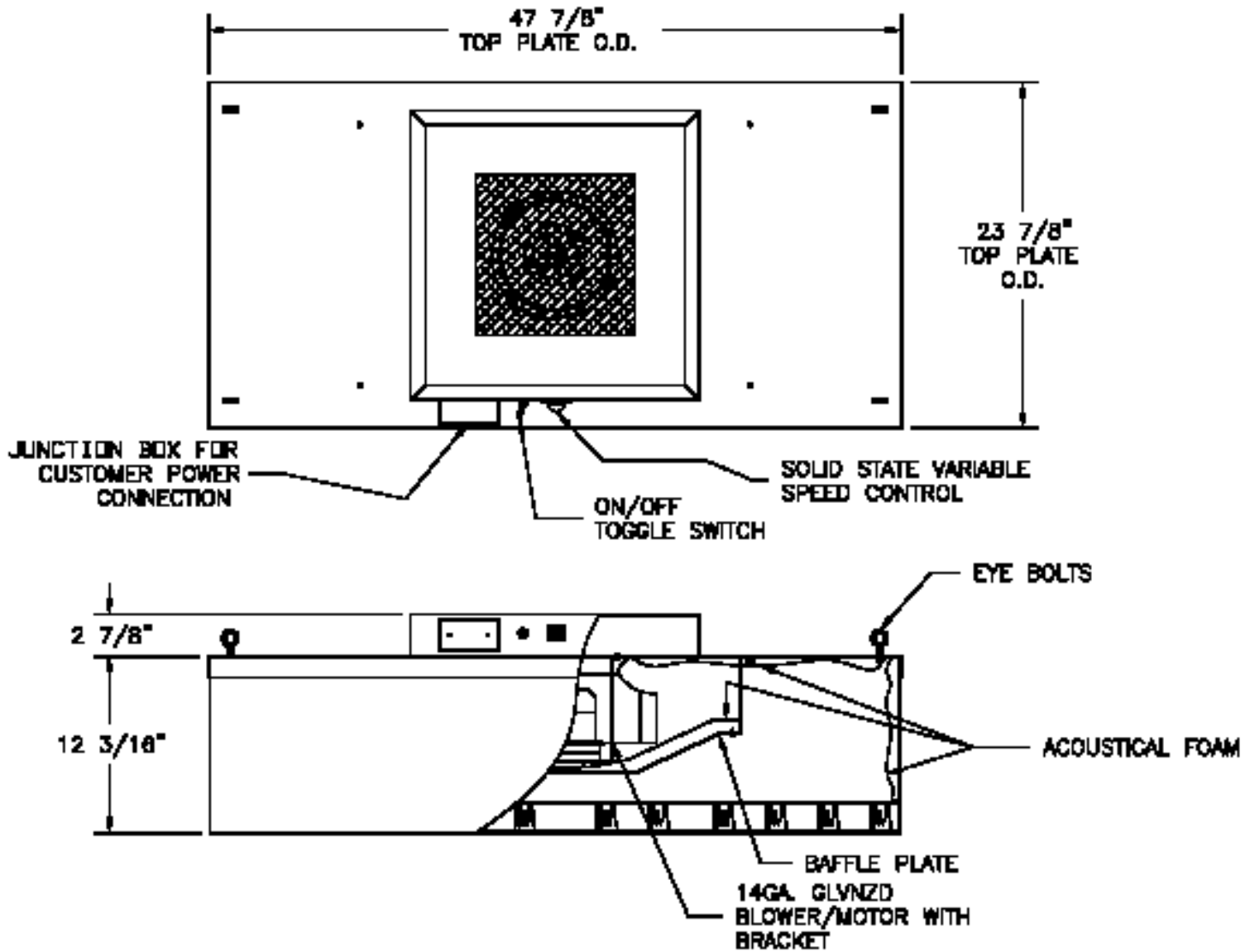
STEP 7. After time in service, when the airflow drops from the recommended 90 fpm +/- 20%, adjust the speed control higher to achieve the recommended airflow. If the flow cannot be obtained when the speed control has been set fully counter-clockwise to “high” (just before the speed control “off” position), it will be necessary to change filters. If the unit is furnished with a prefilter, the prefilter should be cleaned or changed. When changing or cleaning the prefilter no longer provides the required airflow, or if there is no prefilter, it will be necessary to change the HEPA or ULPA filter. The correct HEPA or ULPA replacement filter part number may be found on the filter frame itself or taken from the model number on the label affixed to the Fan Powered Module.

Maintenance

Other than monitoring for dirty filters, no routine maintenance is required.

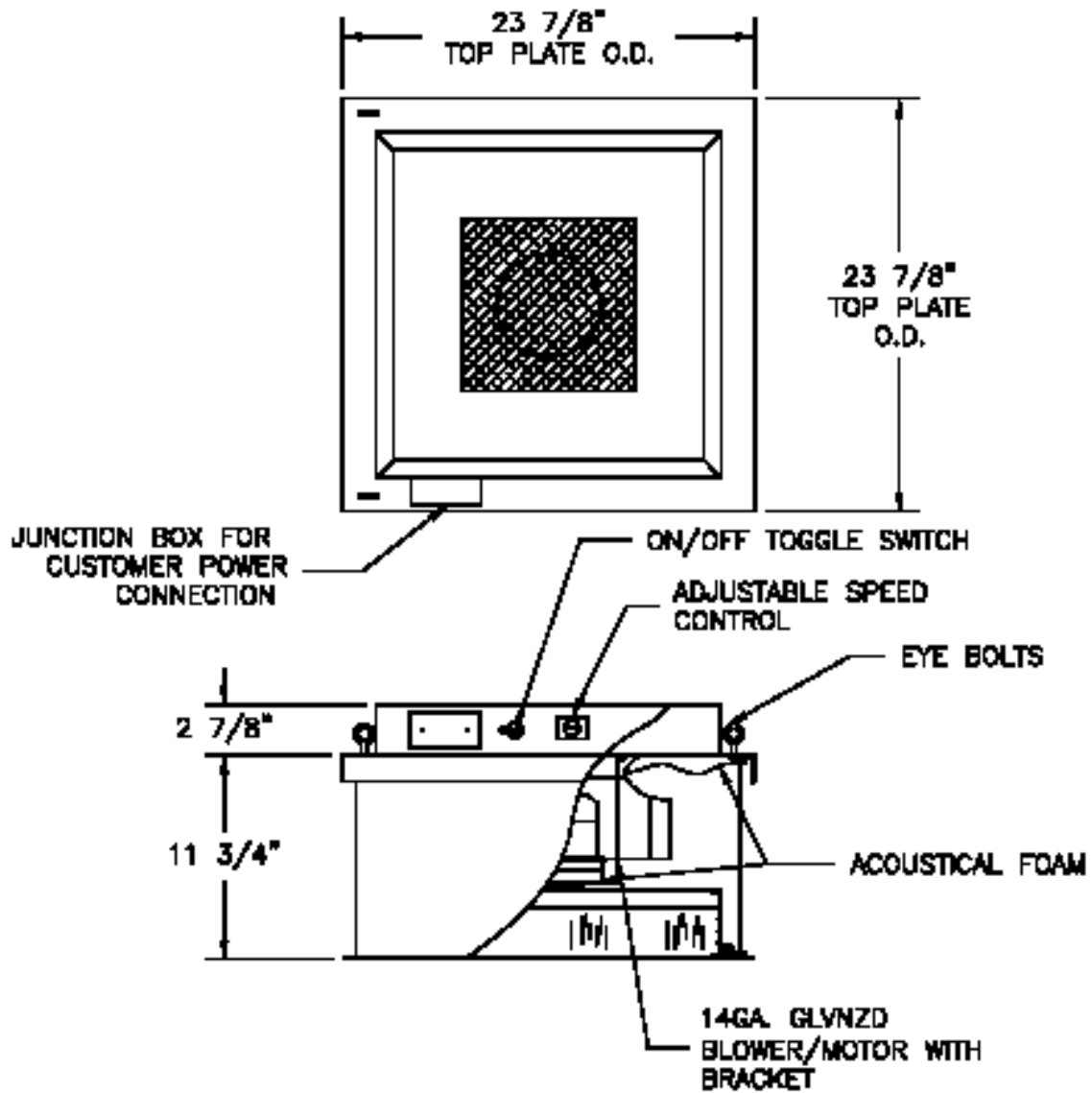
The motor/blower assembly is serviceable from the room-side. The baffle plate is removed to gain access to the blower/motor.

PF-FPM__-2448-__



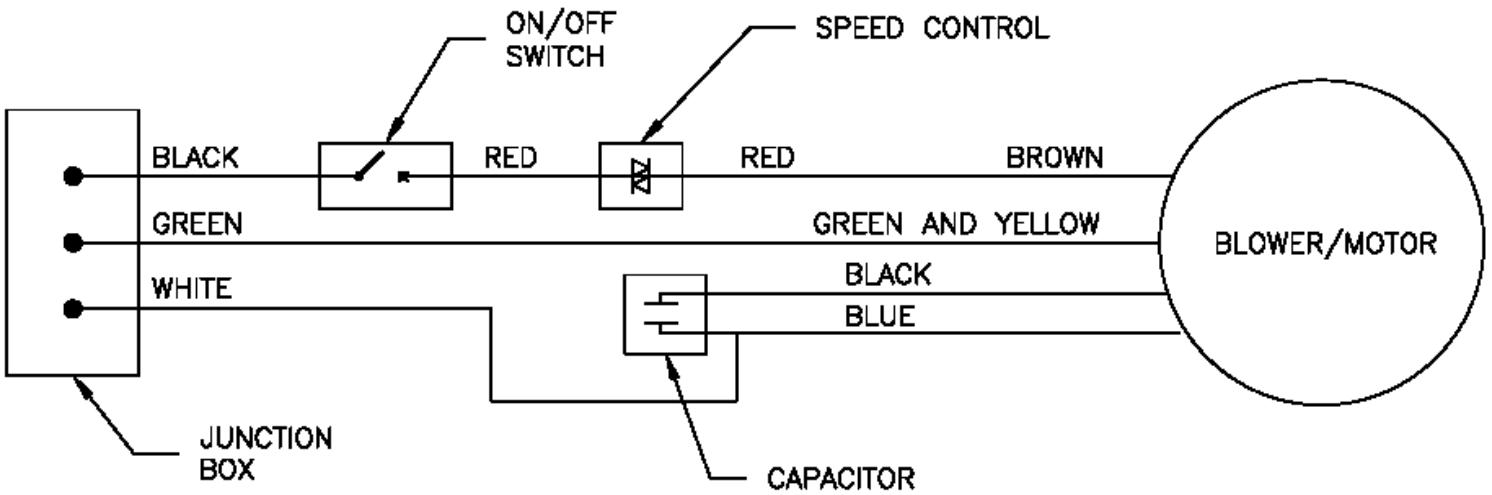
The above diagram depicts a RSR unit.

PF-FPM__-2424-__



The above diagram depicts a RSR unit.

Standard 115V wiring Schematic
Use 75° C Min Copper Conductors Only



Spare Parts List

Part Quantity	Part Description	FFI part no.
4	Eye Bolt 1/4-20 UNC-2A x 2-3/8"	01927803
1	Inlet cover screen	09158779
1	Prefilter foam pad 19-1/2" x 19-1/2" x 1/4"	09965042
1	Blower/Motor 240W, 115V AC	02307001
1	Capacitor 20uf	02307043
1	Motor bracket 14ga galvanized	09158757
1	Speed Control KBWC-16 w/knob and decal	02307059
1	On/Off toggle switch	02307046
1	Baffle Plate Assembly AL	09156799

Flanders Filters Inc.
531 Flanders Filters Road
Washington, NC 27889