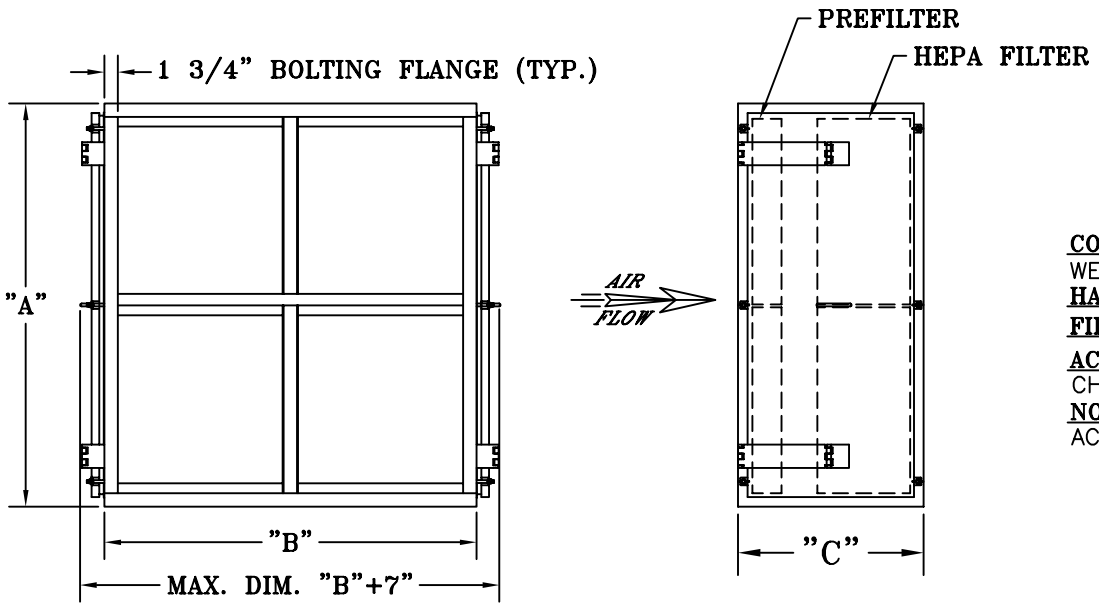


QTY REQ'D	EQUIPMENT MODEL NO.	HEIGHT "A"	WIDTH "B"	DEPTH "C"	PREFILTER SIZE (NOMINAL)	PRIMARY FILTER SIZE (ACTUAL)	FILTER QTY	CAPACITY (CFM)	APPROX. WEIGHT
	C4F-1H1W-4CCF- * -D1A	15 3/4"	12 1/8"	26"	12"x12"x4"	12"x12"x11 1/2"	1	250	75 lbs.
	C4F-1H1W-4CGF- * -D1A	15 3/4"	24 1/8"	26"	12"x24"x4"	12"x24"x11 1/2"	1	500	100 lbs.
	C4F-1H1W-4GCF- * -D1A	27 3/4"	12 1/8"	26"	24"x12"x4"	24"x12"x11 1/2"	1	500	100 lbs.
	C4F-1H1W-4GGF- * -D1A	27 3/4"	24 1/8"	26"	24"x24"x4"	24"x24"x11 1/2"	1	1000	130 lbs.
	C4F-1H2W-4GGF- * -D1A	27 3/4"	48 1/8"	26"	24"x24"x4"	24"x24"x11 1/2"	2	2000	190 lbs.
	C4F-1H3W-4GGF- * -D1A	27 3/4"	72 1/8"	26"	24"x24"x4"	24"x24"x11 1/2"	3	3000	230 lbs.
	C4F-2H1W-4GGF- * -D1A	52 1/8"	24 1/8"	26"	24"x24"x4"	24"x24"x11 1/2"	2	2000	210 lbs.
	C4F-2H2W-4GGF- * -D1A	52 1/8"	48 1/8"	26"	24"x24"x4"	24"x24"x11 1/2"	4	4000	330 lbs.
	C4F-2H3W-4GGF- * -D1A	52 1/8"	72 1/8"	26"	24"x24"x4"	24"x24"x11 1/2"	6	6000	450 lbs.
	C4F-3H1W-4GGF- * -D1A	76 1/2"	24 1/8"	26"	24"x24"x4"	24"x24"x11 1/2"	3	3000	320 lbs.
	C4F-3H2W-4GGF- * -D1A	76 1/2"	48 1/8"	26"	24"x24"x4"	24"x24"x11 1/2"	6	6000	475 lbs.
	C4F-3H3W-4GGF- * -D1A	76 1/2"	72 1/8"	26"	24"x24"x4"	24"x24"x11 1/2"	9	9000	630 lbs.
	C4F-4H1W-4GGF- * -D1A	100 7/8"	24 1/8"	26"	24"x24"x4"	24"x24"x11 1/2"	4	4000	430 lbs.
	C4F-4H2W-4GGF- * -D1A	100 7/8"	48 1/8"	26"	24"x24"x4"	24"x24"x11 1/2"	8	8000	620 lbs.
	C4F-4H3W-4GGF- * -D1A	100 7/8"	72 1/8"	26"	24"x24"x4"	24"x24"x11 1/2"	12	12000	810 lbs.

\* 304, 304L, 316, 316L OR GLV CONSTRUCTION (SEE STANDARD OPTIONS)



**AIR INLET VIEW**  
(UPSTREAM)  
(RIGHT HAND ACCESS SHOWN)

**SIDE VIEW**  
(DOOR ACCESS SIDE)

**STANDARD OPTIONS (  IF APPLICABLE)**

- 304 SST  304L SST  316 SST  316L SST  GLV STEEL MATERIAL: 14 & 11 GA CONSTRUCTION (SPECIFY TYPE)  
NOTE: STANDARD MATERIAL IS GLV STEEL
- PLAIN OR  FACTORY DRILLED INLET/OUTLET DUCT CONNECTION FLANGES (FOR DETAILS SEE DSA-088)
- REMOVABLE OR  WELDED WEATHERCAP (MATERIAL SAME AS THE HOUSING, ADDS 1" TO OVERALL HEIGHT)
- STATIC PRESSURE TAPS LOCATED ON TOP (SIZED FOR 1/4" O.D. TUBING)
- LOOSE OR  FACTORY INSTALLED WEATHERPROOF DIFFERENTIAL PRESSURE GAGE(S) (LOOSE GAGES ARE SUPPLIED WITH INSTALLATION KITS) RANGE/FILTER = \_\_\_\_\_ / \_\_\_\_\_ / \_\_\_\_\_  
(FACTORY INSTALLED GAGE ADD 8" TO "A" DIM.)
- LIFTING LUGS (ADD 3" TO "B" DIM.)
- DIRECTION OF ACCESS:  RIGHT  LEFT (OWNER TO SPECIFY)
- PREFILTER(S) MODEL # = \_\_\_\_\_
- HEPA FILTER(S) MODEL # = \_\_\_\_\_
- OTHER OPTIONS \_\_\_\_\_

**GENERAL NOTES**

**CONSTRUCTION:** PRESSURE BOUNDARY WELDS ARE INTERMITTENTLY WELDED AND CAULKED.  
**HARDWARE:** ALL HARDWARE IS 300 SERIES SST  
**FILTER SEAL:** FLUID SEAL  
**ACCESS:** UNIT HAS ACCESS DOORS ON BOTH SIDES. FILTER CHANGE-OUT IS FROM ONE SIDE ONLY.  
**NOTE:** A MINIMUM OF FOUR (4) FEET CLEARANCE IN FRONT OF THE ACCESS DOOR IS RECOMMENDED FOR FILTER CHANGE-OUT.

**CUSTOMER:** \_\_\_\_\_  
**CUSTOMER PO NO.:** \_\_\_\_\_  
**USER:** \_\_\_\_\_  
**FLANDERS/CSC JOB NO.:** \_\_\_\_\_

DRAWN BY T. SPRUILL	DATE 2/12/03
CHECKED BY	DATE
APPROVED BY	DATE



DRAWING NUMBER <b>DSA-86</b>	SHEET 1	OF 1	REV. 0
---------------------------------	------------	---------	-----------

REV.	DR.	DATE	DESCRIPTION	CHECK	DATE	APPR.	DATE