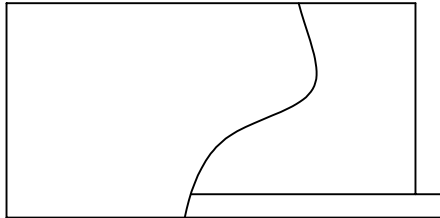
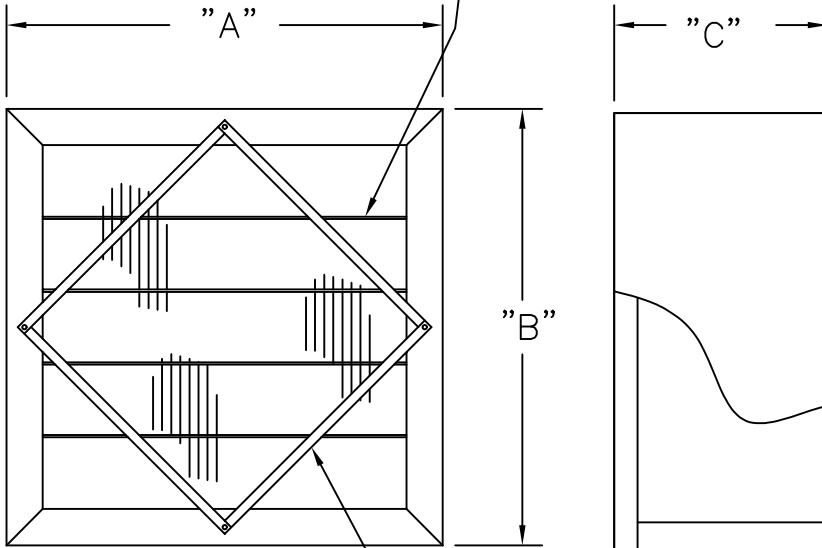


PRP-65 MODEL NUMBER	NOMINAL SIZE	ACTUAL DIMENSION			MEDIA AREA (SQ. FT.)	AIR FLOW CAPACITY (CFM)	INITIAL RES.
		"A"	"B"	"C"			
PRP65*-2406**	12 X 24 X 6	11 3/8"	23 3/8"	5 7/8"	14	600	.60
PRP65*-0006**	20 X 20 X 6	19 3/8"	19 3/8"	5 7/8"	20	840	.60
PRP65*-0406**	20 X 24 X 6	19 3/8"	23 3/8"	5 7/8"	23	995	.60
PRP65*-4406**	24 X 24 X 6	23 3/8"	23 3/8"	5 7/8"	29	1200	.60
PRP65*-2412**	12 X 24 X 12	11 3/8"	23 3/8"	11 1/2"	28	1000	.36
PRP65*-0012**	20 X 20 X 12	19 3/8"	19 3/8"	11 1/2"	39	1400	.36
PRP65*-0412**	20 X 24 X 12	19 3/8"	23 3/8"	11 1/2"	47	1660	.36
PRP65*-4412**	24 X 24 X 12	23 3/8"	23 3/8"	11 1/2"	58	2000	.36



MODEL NO. PRP65 \_\_\_\_\_ QTY: \_\_\_\_\_  
 MODEL NO. PRP65 \_\_\_\_\_ QTY: \_\_\_\_\_  
 MODEL NO. PRP65 \_\_\_\_\_ QTY: \_\_\_\_\_

PLEAT STABILIZERS  
 METAL (CLASS 1) OR PLASTIC (CLASS 2)



\* MEDIA MATERIAL:

G=GLASS MICRO-FIBER  
 S=SYNTHETIC POLYPROPYLENE

\*\* OPTIONS:




1=CLASS 1 (GLASS ONLY)  
 =CLASS 2 (NO CODE)  
 GU=GASKET UPSTREAM  
 GD=GASKET DOWNSTREAM  
 GS=GASKET SIDES  
 H=HEADER

EXAMPLE OF MODEL NO. : PRP65G-4412GD

24 GA. ALUMINIZED CROSS SUPPORTS

NOTES:

- MEDIA-MICROFIBER GLASS OR 100% POLYPROPYLENE SYNTHETIC.
- FILTER TO BE RATED AT 60%-65% EFFICIENT IN ACCORDANCE WITH ASHRAE STANDARD 52.1.
- FRAME 24 GA. ALUMINIZED METAL
- PLEAT STABILIZERS - PLASTIC OR METAL CONSTRUCTION.
- CLASSIFIED AS CLASS 1 GLASS MEDIA ONLY. CLASS 2 IN EITHER GLASS OR SYNTHETIC MEDIA.

CUSTOMER _____			
CUSTOMER ORDER NO. _____			
FLANDERS ORDER NO. _____			
TITLE: FLANDERS RIGID AIR 60-65%			
<table border="1"> <tr> <td rowspan="2">             FLANDERS PRECISIONAIRE         </td> <td>DRAWING NO. RIGIDAIR60-65%</td> <td>REV. _____</td> </tr> </table>	 FLANDERS PRECISIONAIRE	DRAWING NO. RIGIDAIR60-65%	REV. _____
 FLANDERS PRECISIONAIRE		DRAWING NO. RIGIDAIR60-65%	REV. _____