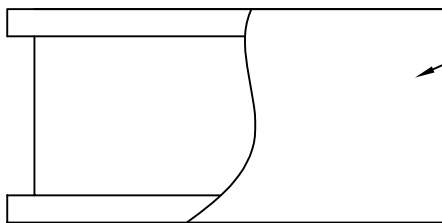


P-CELL MODEL NUMBER	NOMINAL SIZE	ACTUAL DIMENSION				
		"A"	"B"	"C"	"D"	"E"
89055. __2424__	24 X 24 X 12	23 3/8"	23 3/8"	21 3/4"	21 3/4"	5 7/8" OR 11 1/2"
89055. __1224__	12 X 24 X 12	11 3/8"	23 3/8"	9 3/4"	21 3/4"	5 7/8" OR 11 1/2"
89055. __2024__	20 X 24 X 12	19 3/8"	23 3/8"	17 3/4"	21 3/4"	5 7/8" OR 11 1/2"

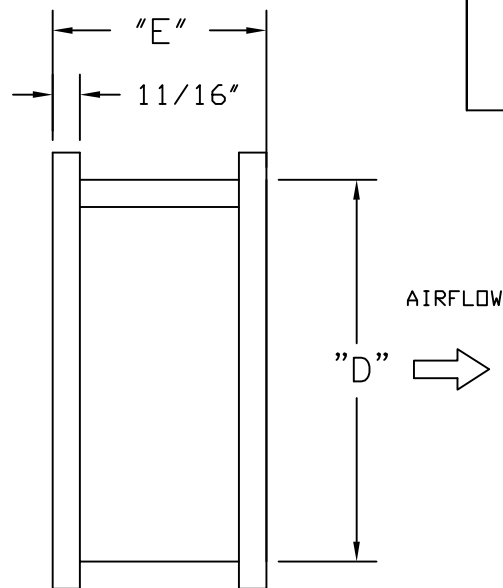
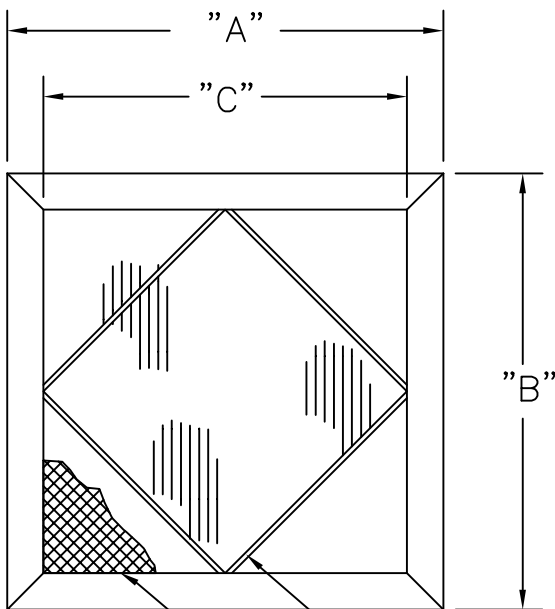


FILTER STYLE

- BOX STYLE - 1
- SINGLE HEADER - 1H
- DOUBLE HEADER - 1DH



"06" DEPTH = 5 7/8"	
AIR FLOW CAPACITY (CFM)	INITIAL RES. IN. W. G.
1000	.45
500	.45
850	.45
"12" DEPTH = 11 1/2"	
AIR FLOW CAPACITY (CFM)	INITIAL RES. IN. W. G.
2000	.60
1000	.60
1700	.60



ALUMINIZED DIAGONAL SUPPORTS AS REQUIRED

ALUMINIZED FACEGUARD

- FU - UPSTREAM
- FD - DOWNSTREAM
- FUD - BOTH SIDES

NOTES:

1. MEDIA-WATER RESISTANT WET LAID FIBERGLASS.
2. FILTER TO BE RATED AT 90%-95% EFFICIENCY IN ACCORDANCE WITH ASHRAE STANDARD 52.1-92.
3. FRAME 24 GA. GALVANIZED
4. FACEGUARD: 20 GA. ALUMINIZED FLATTENED EXPANDED STEEL.

** OPTIONS: GU=GASKET UPSTREAM
GD=GASKET DOWNSTREAM
GUD=GASKET BOTH SIDES

CUSTOMER _____					
CUSTOMER ORDER NO. _____					
FLANDERS ORDER NO. _____					
TITLE: PRECISIONCELL 90%-95% STD CAP., UL 900 CLASS 1					
<table border="1"> <tr> <td rowspan="2" style="text-align: center;">Flanders[®] FLANDERS PRECISIONAIRE</td> <td>DRAWING NO.</td> <td>REV.</td> </tr> <tr> <td>P-CELL90-95%</td> <td>_____</td> </tr> </table>	Flanders [®] FLANDERS PRECISIONAIRE	DRAWING NO.	REV.	P-CELL90-95%	_____
Flanders [®] FLANDERS PRECISIONAIRE		DRAWING NO.	REV.		
	P-CELL90-95%	_____			