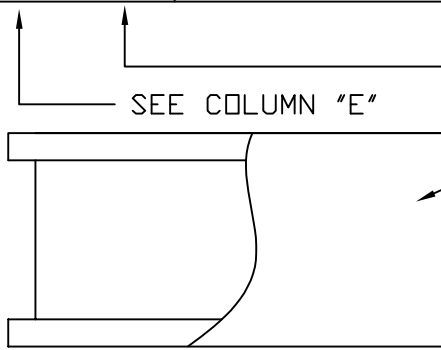


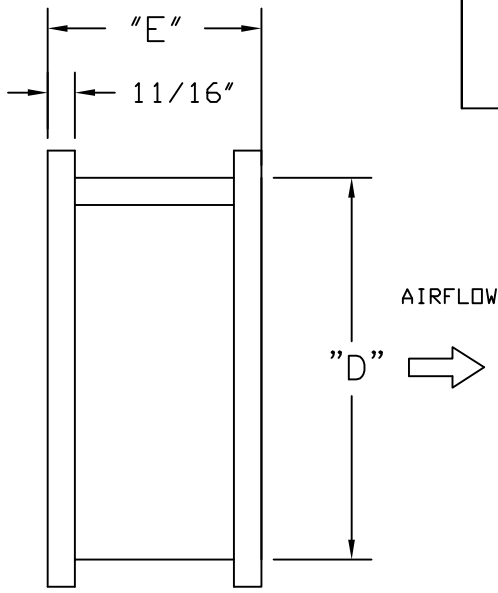
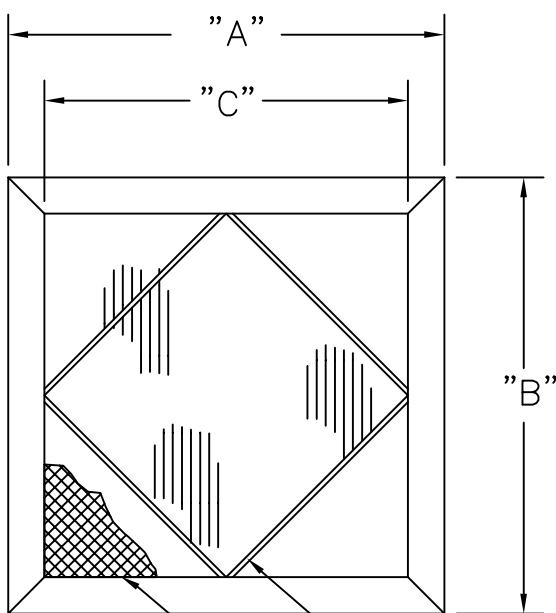
P-CELL MODEL NUMBER	NOMINAL SIZE	ACTUAL DIMENSION				
		"A"	"B"	"C"	"D"	"E"
86055. __2424__	24 X 24 X 12	23 3/8"	23 3/8"	21 3/4"	21 3/4"	5 7/8" OR 11 1/2"
86055. __1224__	12 X 24 X 12	11 3/8"	23 3/8"	9 3/4"	21 3/4"	5 7/8" OR 11 1/2"
86055. __2024__	20 X 24 X 12	19 3/8"	23 3/8"	17 3/4"	21 3/4"	5 7/8" OR 11 1/2"



SEE COLUMN "E"

FILTER STYLE
 BOX STYLE - 1
 SINGLE HEADER - 1H
 DOUBLE HEADER - 1DH
 EXAMPLE: 86055.1224241DH

"06" DEPTH = 5 7/8"	
AIR FLOW CAPACITY (CFM)	INITIAL RES. IN. W. G.
1000	.15
500	.15
850	.15
"12" DEPTH = 11 1/2"	
AIR FLOW CAPACITY (CFM)	INITIAL RES. IN. W. G.
2000	.30
1000	.30
1700	.30



AIRFLOW



ALUMINIZED DIAGONAL SUPPORTS AS REQUIRED

ALUMINIZED FACEGUARD
 FU - UPSTREAM
 FD - DOWNSTREAM
 FUD - BOTH SIDES

NOTES:

- MEDIA-WATER RESISTANT WET LAID FIBERGLASS.
- FILTER TO BE RATED AT 60%-65% EFFICIENCY IN ACCORDANCE WITH ASHRAE STANDARD 52.1-92.
- FRAME 24 GA. ALUMINIZED
- FACEGUARD: 20 GA. ALUMINIZED FLATTENED EXPANDED STEEL.

** OPTIONS: GU=GASKET UPSTREAM
 GD=GASKET DOWNSTREAM
 GUD=GASKET BOTH SIDES

CUSTOMER	_____
CUSTOMER ORDER NO.	_____
FLANDERS ORDER NO.	_____

TITLE: PRECISIONCELL 60%-65%
 STD CAP., UL 900 CLASS 1

 FLANDERS PRECISIONAIRE	DRAWING NO.	REV.
	P-CELL60-65%	_____