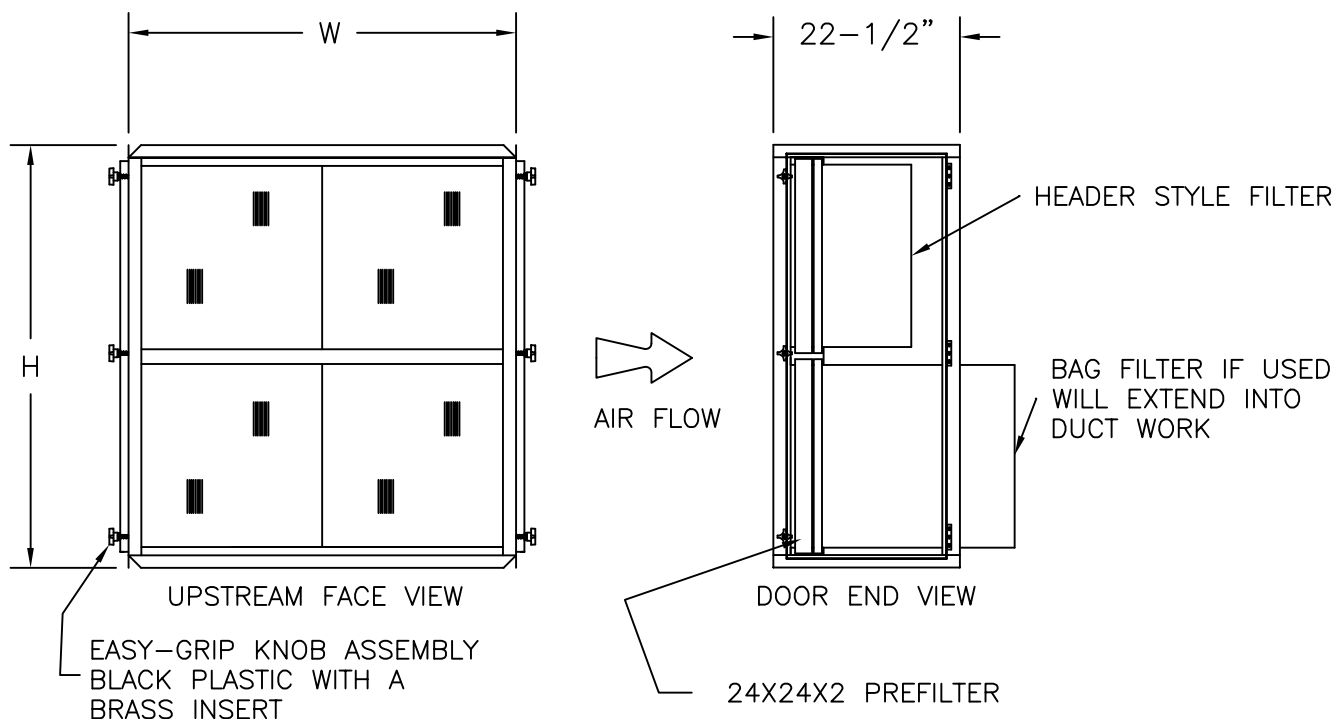


SURESEAL HOUSING SAMPLE MODEL NO. SS220H20W



NOTES	
1.	STANDARD HOUSING MATERIAL IS 16 GA GALVANIZED, STAINLESS STEEL IS AVAILABLE.
2.	STANDARD HARDWARE IS GALVANIZED, STAINLESS STEEL OR NICKLE PLATED HARDWARE IS AVAILABLE.
3.	STATIC TAPS, MANOMETERS, AND MAGNEHELIC GAGES ARE AVAILABLE.
4.	HOUSING IS AVAILABLE WITH 2" OR 4" EXTRUDED ALUMINUM PREFILTER TRACKS.

PERFORMANCE DATA - CFM & DIMENSIONS

HEIGHT CODE	OVERALL HEIGHT (INCHES)	FACE VELOCITY (FPM)	WIDTH CODE										
			10W	15W	20W	25W	30W	35W	40W	45W	50W	55W	60W
			23-3/8	34-3/4	46-3/4	58-1/8	70-1/8	81-1/2	93-7/8	104-7/8	116-7/8	128-1/4	140-1/4
05H	15	375	750	----	1500	----	2250	----	3000	----	----	----	----
		500	1000	----	2000	----	3000	----	4000	----	----	----	----
		625	1250	----	2500	----	3750	----	5000	----	----	----	----
10H	27	375	1500	2250	3000	3750	4500	5250	6000	6750	7500	8250	9000
		500	2000	3000	4000	5000	6000	7000	8000	9000	10000	11000	12000
		625	2500	3750	5000	6250	7500	8750	10000	11250	12500	13750	15000
15H	39	375	2250	----	4500	----	6750	----	9000	----	11250	----	13500
		500	3000	----	6000	----	9000	----	12000	----	15000	----	18000
		625	3750	----	7500	----	11250	----	15000	----	18750	----	22500
20H	51	375	3000	4500	6000	7500	9000	10500	12000	13500	15000	16500	18000
		500	4000	6000	8000	10000	12000	14000	16000	18000	20000	22000	24000
		625	5000	7500	10000	12500	15000	17500	20000	22500	25000	27500	30000
25H	62-7/8	375	3750	----	7500	----	11250	----	15000	----	18750	----	22500
		500	5000	----	10000	----	15000	----	20000	----	25000	----	30000
		625	6250	----	12500	----	18750	----	25000	----	31250	----	37500
30H	74-7/8	375	4500	6750	9000	11250	13500	15750	18000	20250	22500	24750	27000
		500	6000	9000	12000	15000	18000	21000	24000	27000	30000	33000	36000
		625	7500	11250	15000	18750	22500	26250	30000	33750	37500	41250	45000
35H	86-7/8	375	5250	----	10500	----	15750	----	21000	----	26250	----	31500
		500	7000	----	14000	----	21000	----	28000	----	35000	----	42000
		625	8750	----	17500	----	26250	----	35000	----	43750	----	52500
40H	98-7/8	375	6000	9000	12000	15000	18000	21000	24000	27000	30000	33000	36000
		500	8000	12000	16000	20000	24000	28000	32000	36000	40000	44000	48000
		625	10000	15000	20000	25000	30000	35000	40000	45000	50000	55000	60000

TITLE: SURESEAL HOUSING	Flanders FLANDERS FILTERS, INC.	DRAWING NO. SS-01	CUSTOMER NAME: _____ PROJECT NAME: _____ PO NUMBER: _____
----------------------------	---	----------------------	---