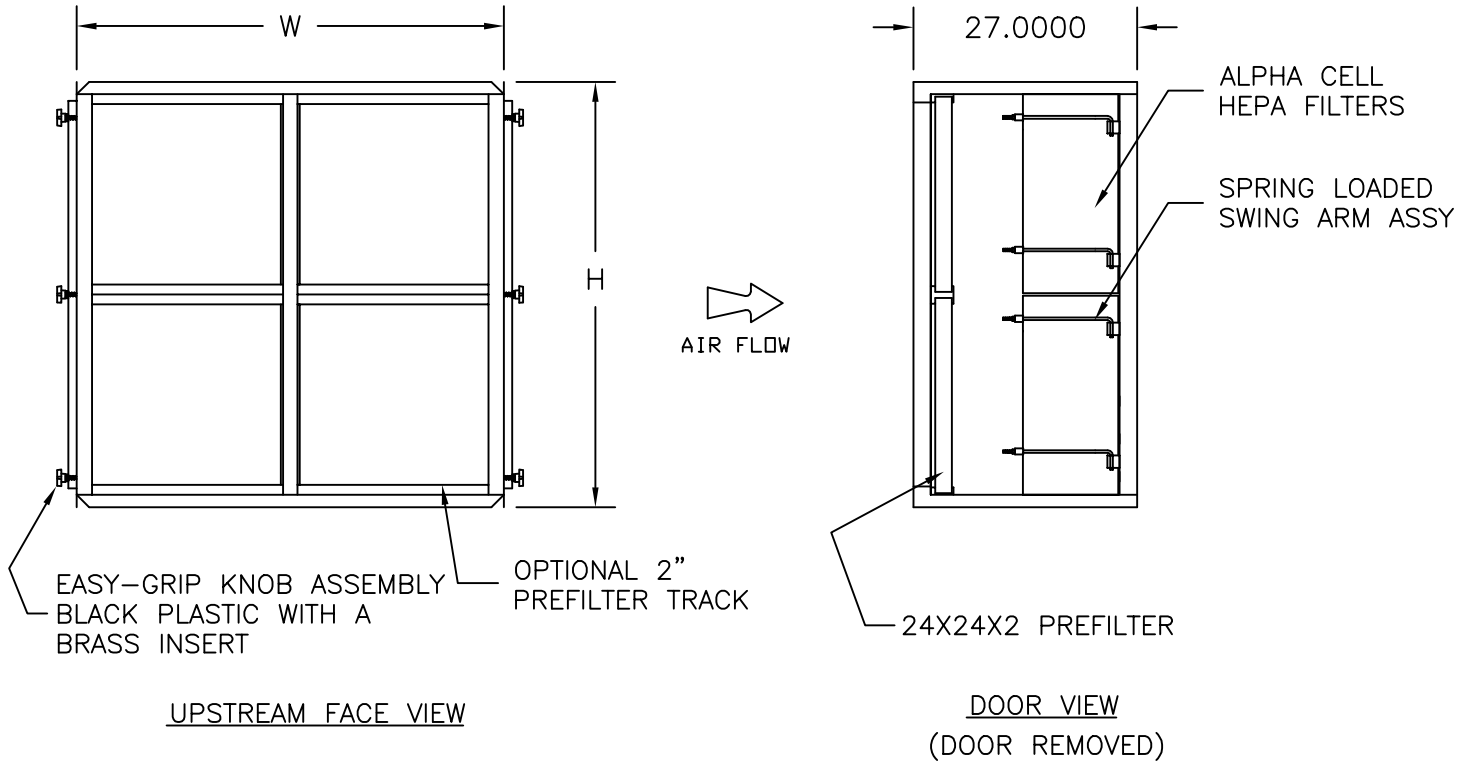


SURELOCK-B HOUSING

SAMPLE MODEL NO. SLBP20H20W



UPSTREAM FACE VIEW

DOOR VIEW
(DOOR REMOVED)

NOTES

1. STANDARD HOUSING MATERIAL IS 16 GA GALVANIZED, STAINLESS STEEL IS AVAILABLE.
2. STANDARD HARDWARE IS GALVANIZED, STAINLESS STEEL OR NICKLE PLATED HARDWARE IS AVAILABLE.
3. STATIC TAPS, MANOMETERS, AND MAGNEHELIC GAGES ARE AVAILABLE.
4. HOUSING IS AVAILABLE WITH 2" OR 4" FABRICATED PREFILTER TRACKS.

PERFORMANCE DATA - CFM & DIMENSIONS

| HEIGHT CODE | OVERALL HEIGHT (INCHES) | FACE VEL. (FPM) | FILTER TYPE | WIDTH CODE | | | | | | | | | | |
|-------------|-------------------------|-----------------|-------------|------------|---------|---------|--------|--------|----------|-----------|---------|---------|-----------|-----------|
| | | | | 10W | 15W | 20W | 25W | 30W | 35W | 40W | 45W | 50W | 55W | 60W |
| | | | | 26 | 39-9/16 | 51-9/16 | 65-1/8 | 77-1/8 | 90-11/16 | 102-11/16 | 116-1/4 | 128-1/4 | 141-13/16 | 153-13/16 |
| 05H | 15 | 375 | STD | 600 | ---- | 1200 | ---- | 1800 | ---- | 2400 | ---- | ---- | ---- | ---- |
| | | 500 | H CAP | 750 | ---- | 1500 | ---- | 2250 | ---- | 3000 | ---- | ---- | ---- | ---- |
| | | 625 | H CAP | 1000 | ---- | 2000 | ---- | 3000 | ---- | 4000 | ---- | ---- | ---- | ---- |
| 10H | 27 | 375 | STD | 1200 | 1800 | 2400 | 3000 | 3600 | 4200 | 4800 | 5400 | 6000 | 6600 | 7200 |
| | | 500 | H CAP | 1500 | 2250 | 3000 | 3750 | 4500 | 5250 | 6000 | 6750 | 7500 | 8250 | 9000 |
| | | 625 | H CAP | 2000 | 3000 | 4000 | 5000 | 6000 | 7000 | 8000 | 9000 | 1000 | 11100 | 12000 |
| 15H | 39 | 375 | STD | 1800 | ---- | 3600 | ---- | 5400 | ---- | 7200 | ---- | 9000 | ---- | 10800 |
| | | 500 | H CAP | 2250 | ---- | 4500 | ---- | 6750 | ---- | 9000 | ---- | 11250 | ---- | 13500 |
| | | 625 | H CAP | 3000 | ---- | 6000 | ---- | 9000 | ---- | 12000 | ---- | 15000 | ---- | 18000 |
| 20H | 51 | 375 | STD | 2400 | 3600 | 4800 | 6000 | 7200 | 8400 | 9600 | 10800 | 12000 | 13200 | 14400 |
| | | 500 | H CAP | 3000 | 4500 | 6000 | 7500 | 9000 | 10500 | 12000 | 13500 | 15000 | 16500 | 18000 |
| | | 625 | H CAP | 4000 | 6000 | 8000 | 10000 | 12000 | 14000 | 16000 | 18000 | 20000 | 22000 | 24000 |
| 25H | 62-7/8 | 375 | STD | 3000 | ---- | 6000 | ---- | 9000 | ---- | 12000 | ---- | 15000 | ---- | 18000 |
| | | 500 | H CAP | 3750 | ---- | 7500 | ---- | 11250 | ---- | 15000 | ---- | 18750 | ---- | 22500 |
| | | 625 | H CAP | 5000 | ---- | 10000 | ---- | 15000 | ---- | 20000 | ---- | 25000 | ---- | 30000 |
| 30H | 74-7/8 | 375 | STD | 3600 | 6400 | 7200 | 9000 | 10800 | 12600 | 14400 | 16200 | 18000 | 19800 | 21600 |
| | | 500 | H CAP | 4500 | 5750 | 9000 | 11250 | 13500 | 15750 | 18000 | 20250 | 22500 | 24750 | 27000 |
| | | 625 | H CAP | 6000 | 9000 | 12000 | 15000 | 18000 | 21000 | 24000 | 27000 | 30000 | 33000 | 36000 |
| 35H | 86-7/8 | 375 | STD | 4200 | ---- | 8400 | ---- | 12600 | ---- | 16800 | ---- | 21000 | ---- | 25200 |
| | | 500 | H CAP | 5250 | ---- | 10500 | ---- | 15750 | ---- | 21000 | ---- | 26250 | ---- | 31500 |
| | | 625 | H CAP | 7000 | ---- | 14000 | ---- | 21000 | ---- | 28000 | ---- | 35000 | ---- | 42000 |
| 40H | 98-7/8 | 375 | STD | 4800 | 7200 | 9600 | 12000 | 14400 | 16800 | 19200 | 21000 | 24000 | 26400 | 28800 |
| | | 500 | H CAP | 6000 | 9000 | 12000 | 15000 | 18000 | 21000 | 24000 | 27000 | 30000 | 33000 | 36000 |
| | | 625 | H CAP | 8000 | 12000 | 16000 | 20000 | 24000 | 28000 | 32000 | 36000 | 40000 | 44000 | 48000 |

| | | | |
|------------------------------|---|-----------------------|---|
| TITLE: SURELOCK-B HOUSING | Flanders FLANDERS FILTERS, INC. | DRAWING NO. SLB-01 | CUSTOMER NAME: _____ PROJECT NAME: _____ PO NUMBER: _____ |
|------------------------------|---|-----------------------|---|