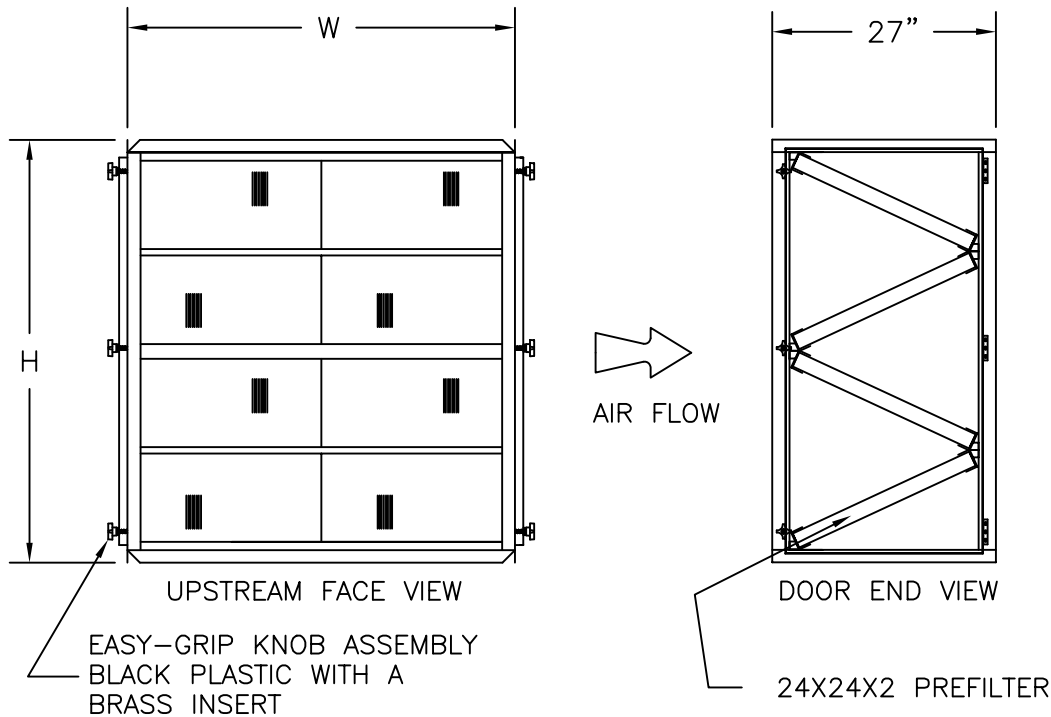


# SUREFLO HOUSING

SAMPLE MODEL NO. SF20H20W



NOTES	
1. STANDARD HOUSING MATERIAL IS 16 GA GALVANIZED, STAINLESS STEEL IS AVAILABLE.	
2. STANDARD HARDWARE IS GALVANIZED, STAINLESS STEEL OR NICKLE PLATED HARDWARE IS AVAILABLE.	
3. STATIC TAPS, MANOMETERS, AND MAGNEHELIC GAGES ARE AVAILABLE.	
4. HOUSING IS AVAILABLE WITH 2" EXTRUDED ALUMINUM PREFILTER TRACKS.	

PERFORMANCE DATA - CFM & DIMENSIONS													
HEIGHT CODE	OVERALL HEIGHT (INCHES)	FACE VELOCITY (FPM)	WIDTH CODE										
			10W	15W	20W	25W	30W	35W	40W	45W	50W	55W	60W
			23-3/8	34-3/4	46-3/4	58-1/8	70-1/8	81-1/2	93-7/8	104-7/8	116-7/8	128-1/4	140-1/4
05H	15	125	500	750	1000	1200	1500	1750	2000	2250	2500	2750	3000
		250	1000	1500	2000	2400	3000	3500	4000	4500	5000	5500	6000
		375	1500	2250	3000	3750	4500	5250	6000	6750	7500	8250	9000
		500	2000	3000	4000	5000	6000	7000	8000	9000	10000	11000	12000
10H	27	125	1000	1500	2000	2500	3000	3500	4000	4500	5000	5500	6000
		250	2000	3000	4000	5000	6000	7000	8000	9000	10000	11000	12000
		375	3000	4500	6000	7500	9000	10500	12000	13500	15000	16500	18000
		500	4000	6000	8000	10000	12000	14000	16000	18000	20000	22000	24000
15H	39	125	1500	2250	3000	3750	4500	5250	6000	6750	7500	8250	9000
		250	3000	4500	6000	7500	9000	10500	12000	13500	15000	16500	18000
		375	4500	6750	9000	11250	13500	15750	18000	20250	22500	24750	27000
		500	6000	9000	12000	15000	18000	21000	24000	27000	30000	33000	36000
20H	51	125	2000	3000	4000	5000	6000	7000	8000	9000	10000	11000	12000
		250	4000	6000	8000	10000	12000	14000	16000	18000	20000	22000	24000
		375	6000	9000	12000	15000	18000	21000	24000	27000	30000	33000	36000
		500	8000	12000	16000	20000	24000	28000	32000	36000	40000	44000	48000
25H	62-7/8	125	2500	3750	5000	6250	7500	8750	10000	11250	12500	13750	15000
		250	5000	7500	10000	12500	15000	17500	20000	22500	25000	27500	30000
		375	7500	11250	15000	18750	22500	26250	30000	33750	37500	41250	45000
		500	10000	15000	20000	25000	30000	35000	40000	45000	50000	55000	60000
30H	74-7/8	125	3000	4500	6000	7500	9000	10500	12000	13500	15000	16500	18000
		250	6000	9000	12000	15000	18000	21000	24000	27000	30000	33000	36000
		375	9000	13500	18000	22500	27000	31500	36000	40500	45000	49500	54000
		500	12000	18000	24000	30000	36000	42000	48000	54000	60000	66000	72000
35H	86-7/8	125	3500	5250	7000	8750	10500	12250	14000	15750	17500	19250	21000
		250	7000	10500	14000	17500	21000	24500	28000	31500	35000	38500	42000
		375	10500	15750	21000	26250	31500	36750	42000	47250	52500	57750	63000
		500	14000	21000	28000	35000	42000	49000	56000	63000	70000	77000	84000
40H	98-7/8	125	4000	6000	8000	10000	12000	14000	16000	18000	20000	22000	24000
		250	8000	12000	16000	20000	24000	28000	32000	36000	40000	44000	48000
		375	12000	18000	24000	30000	36000	42000	48000	54000	60000	66000	72000
		500	16000	24000	32000	40000	48000	56000	64000	72000	80000	88000	96000