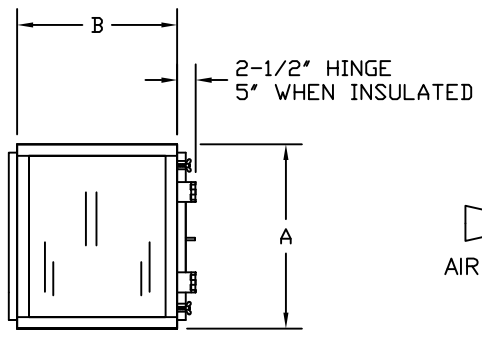
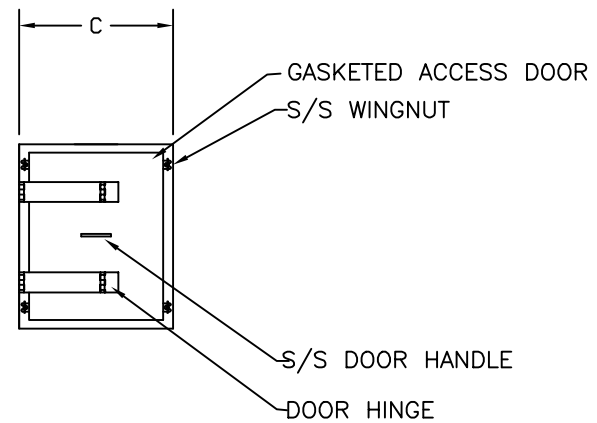


SPECIFICATIONS

1. SIDE LOAD HOLDING FRAME WITH SLIDE-TYPE 304 LOCKING MECHANISM. HOUSING IS CONSTRUCTED WITH 11 AND 14 GA. GALVANIZED, 304, 304L, 316 OR 316L SHEET METAL AND 300 SERIES HARDWARE. THE FILTER LOCKING MECHANISM ENGAGES THE GASKETED FILTER ONTO ITS SEALING SURFACE BY MEANS OF A MECHANICALLY OPERATED BOLT OPERATED BOLT AND THRUST ASSEMBLY. THE ASSEMBLY SHALL BE OPERATED WITH A 3/4" SOCKET OR WRENCH (NOT SUPPLIED BY FF1).
2. CONSTRUCTION: ALL JOINTS ARE INTERMITTENTLY OR CONTINUOUSLY WELDED (SPECIFY) AND SEALED AIRTIGHT WITH CAULKING (INTERMITTENT). UNIT IS TO BE FREE OF ALL BURRS & SHARP EDGES.
3. FLANGES: THE DOWNSTREAM SIDE OF THE C-4 HOUSING HAS 1 3/4" WIDE VERTICAL FLANGES AND 3" WIDE HORIZONTAL FLANGES. THE UPSTREAM SIDE 1 3/4" FLANGES ALL AROUND.
4. ACCESS DOOR: THE ACCESS DOOR HAS 1/2" THICK CLOSED CELL NEOPRENE GASKET AROUND ITS INSIDE PERIMETER. DOUBLE-PIN HINGES ON THE DOOR PIVOT TO ENABLE THE DOOR TO MAKE LEVEL CONTACT ON THE GASKET WHEN CLOSED. PROVIDE A MINIMUM OF 25" CLEARANCE FOR DOOR OPENING AND SERVICE ACCESS. ALLOW 30" CLEARANCE ON INSULATED HOUSINGS.
5. WEATHERCAPS, MAGNEHELIC GAGES, STATIC PORTS, DOP PORTS AND INSULATED HOUSINGS ARE AVAILABLE UPON REQUEST.



UPSTREAM VIEW



DOOR ACCESS VIEW

HEIGHT CODE	A	WIDTH CODE	B	DEPTH CODE	C
1/2	15-3/4"	1/2	12-1/8"	CCF/2CCF	24"
1	27-3/4"	1	24-1/8"	GGF/2GGF	24"
1-1/2	40-5/16"	1-1/2	36-1/8"	4GGF	26"
2	52-1/8"	2	48-1/8"	GG16	28-5/8"
2-1/2	64-13/16"	2-1/2	60-1/8"	FILTER ACCESS D1 HOUSING: ACCESS DOOR LOCATED ON ONE SIDE OF UNIT. D2 HOUSING: ACCESS DOOR LOCATED ON BOTH SIDES OF UNIT. FILTER REMOVAL FROM ONE SIDE ONLY. D2A HOUSING: ACCESS DOOR LOCATED ON BOTH SIDES OF UNIT. FILTER REMOVAL FROM BOTH SIDES OF UNIT.	
3	76-1/2"	3	72-1/8"		
3-1/2	88-15/16"	3-1/2	84-1/8"		
4	100-7/8"	4	96-1/4"		