

# B1 HOLDING FRAME

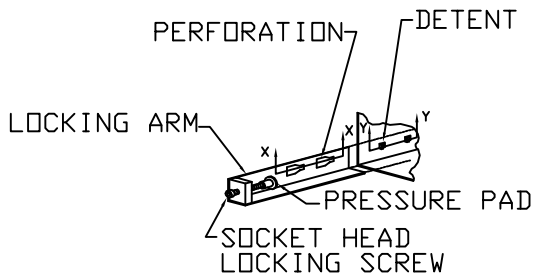
SAMPLE MODEL NO. B1(304) GGD

## MATERIAL

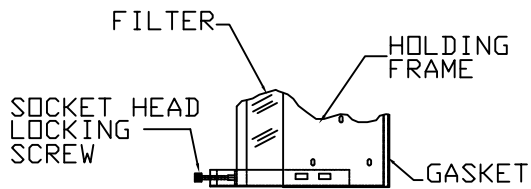
- GALVANIZED
- ALUMINUM
- 304 S/S
- 304L S/S
- 316 S/S
- 316L S/S

## SPECIFICATIONS

1. 14GA. SHEET METAL CONSTRUCTION.
2. WELDED CONSTRUCTION.
3. HOLES ARE PRE-PUNCHED IN FRAME TO ASSIST INSTALLATION OF THESE FRAMES INTO FILTER BANKS OR DUCTS.
4. VISUAL IMPAIRMENTS TO WELDS TO BE SOAP BUBBLE TESTED.
5. UNIT TO BE CHECKED FOR FILTER FIT BEFORE LEAVING THE FACTORY.
6. RECOMMEND USING 3/16" DIA. RIVETS TO FASTEN FRAMES TOGETHER.

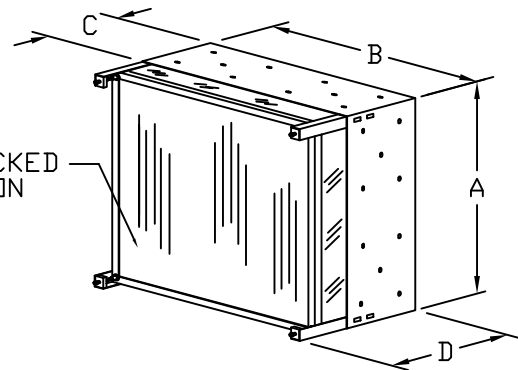


LOCKING ARM MECHANISM



SIDE VIEW  
LOCKING ARM MECHANISM

SECTION Y-Y IS INSERTED INTO SECTION X-X



FILTER LOCKED IN POSITION

ISOMETRIC VIEW

DIMENSION DATA				
FILTER SIZE	A	B	C	D
CC-D	12-5/8"	12-5/8"	6"	7-7/8"
CG-D	12-5/8"	24-5/8"	6"	7-7/8"
GC-D	24-5/8"	12-5/8"	6"	7-7/8"
GG-D	24-5/8"	24-5/8"	6"	7-7/8"
GN-D	24-1/8"	31-5/8"	6"	7-7/8"
NG-D	31-5/8"	14"	6"	7-7/8"
YY-D	24"	24"	6"	7-7/8"
NOTE: OTHER SIZES AVAILABLE UPON REQUEST				

TITLE:  
B1 HOLDING FRAME

**Flanders**  
FLANDERS FILTERS, INC.

DRAWING NO.

B1-D-01

CUSTOMER NAME: \_\_\_\_\_  
PROJECT NAME: \_\_\_\_\_  
PO NUMBER: \_\_\_\_\_