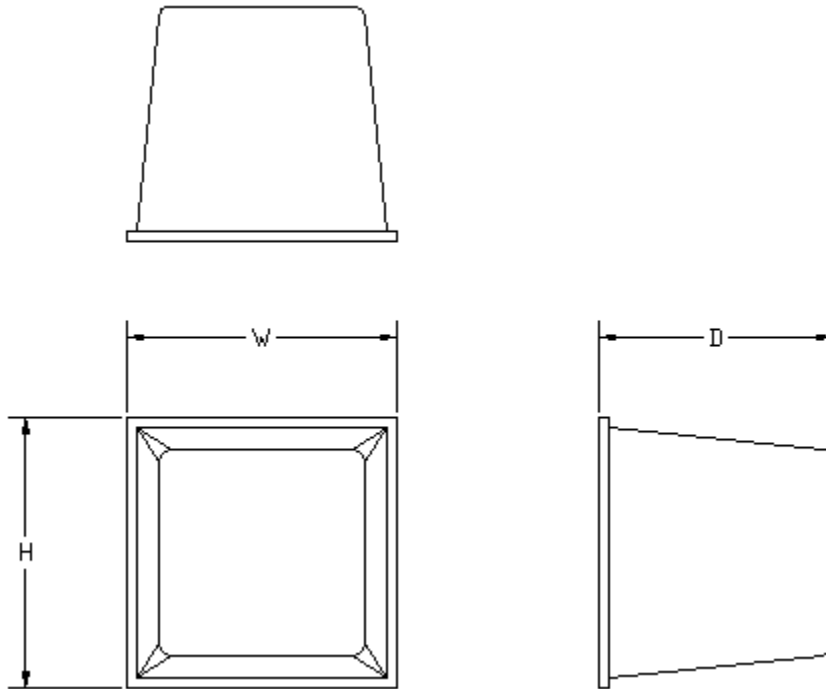


## Series 325T Cube Filters



### Specifications:

1. The 325T uses two distinct medias sewn and welded together to form the cube. The first media layer is a 1.5" white/green dual 45/15 denier polyester media.
2. Cubes are available with 1, 2, or 3 pockets.
3. Cubes are available with self sealing headers or a 7/8" metal header.
4. Media packs are welded around a 9 gauge wire support frame.
5. Media overlaps the frame by 1-2 inches allowing the media to work as a gasket when installed

**Customer Name:**

**Project Name:**

**Date:**

**Order No.**

**Qty:**

**Approved By:**

### Dimension Specs.

	H		W		D	
Cube Dimensions (self sealing) 1 Pocket	<input type="checkbox"/>	12"	<input type="checkbox"/>	24"	<input type="checkbox"/>	10"
	<input type="checkbox"/>	16"	<input type="checkbox"/>	20"	<input type="checkbox"/>	15"
	<input type="checkbox"/>	20"	<input type="checkbox"/>	25"	<input type="checkbox"/>	20"
	<input type="checkbox"/>	24"				
Cube Dimensions 1 Pocket (with Header)	<input type="checkbox"/>	12"	<input type="checkbox"/>	24"	<input type="checkbox"/>	10"
	<input type="checkbox"/>	16"	<input type="checkbox"/>	20"	<input type="checkbox"/>	15"
	<input type="checkbox"/>	20"	<input type="checkbox"/>	25"	<input type="checkbox"/>	20"
	<input type="checkbox"/>	24"				
Cube Dimensions (Self Sealing) 2 Pocket	<input type="checkbox"/>	12"	<input type="checkbox"/>	24"	<input type="checkbox"/>	10"
	<input type="checkbox"/>	16"	<input type="checkbox"/>	20"	<input type="checkbox"/>	15"
	<input type="checkbox"/>	20"	<input type="checkbox"/>	25"	<input type="checkbox"/>	20"
	<input type="checkbox"/>	24"				
Cube Dimensions 2 Pocket (with Header)	<input type="checkbox"/>	12"	<input type="checkbox"/>	24"	<input type="checkbox"/>	10"
	<input type="checkbox"/>	16"	<input type="checkbox"/>	20"	<input type="checkbox"/>	15"
	<input type="checkbox"/>	20"	<input type="checkbox"/>	25"	<input type="checkbox"/>	20"
	<input type="checkbox"/>	24"				
Cube Dimensions (Self Sealing) 3 Pocket	<input type="checkbox"/>	12"	<input type="checkbox"/>	24"	<input type="checkbox"/>	10"
	<input type="checkbox"/>	16"	<input type="checkbox"/>	20"	<input type="checkbox"/>	15"
	<input type="checkbox"/>	20"	<input type="checkbox"/>	25"	<input type="checkbox"/>	20"
	<input type="checkbox"/>	24"				
Cube Dimensions 3 Pocket (with Header)	<input type="checkbox"/>	12"	<input type="checkbox"/>	24"	<input type="checkbox"/>	10"
	<input type="checkbox"/>	16"	<input type="checkbox"/>	20"	<input type="checkbox"/>	15"
	<input type="checkbox"/>	20"	<input type="checkbox"/>	25"	<input type="checkbox"/>	20"
	<input type="checkbox"/>	24"				