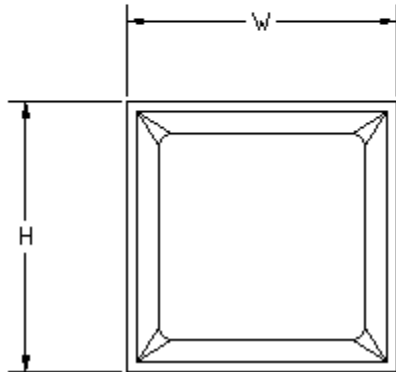
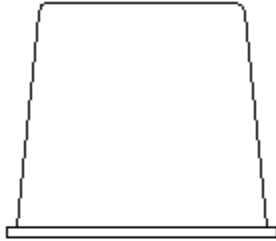


Series 225t Cube Filters



Specifications:

1. The 225T uses two distinct medias, 1" white single 15 denier polyester treated with a tackifier and tightly needled 1/4" 6 denier polyester.
2. Cubes are available with 1, 2, or 3 pockets.
3. Cubes are available with self sealing headers or a 7/8" metal header.
4. Media packs are welded around a 9 gauge wire.
5. Media overlaps the frame by 1-2 inches allowing the media to work as a gasket when installed

Customer Name:

Project Name:

Date:

Order No.:

Qty:

Approved By:

		H		W		D	
Cube Dimensions (self sealing) 1 Pocket	<input type="checkbox"/>	12"	<input type="checkbox"/>	24"	<input type="checkbox"/>	10"	
	<input type="checkbox"/>	16"	<input type="checkbox"/>	20"	<input type="checkbox"/>	15"	
	<input type="checkbox"/>	20"	<input type="checkbox"/>	25"	<input type="checkbox"/>	20"	
	<input type="checkbox"/>	24"	<input type="checkbox"/>	19.5"			
	<input type="checkbox"/>	15"					
	<input type="checkbox"/>	18"					
Cube Dimensions 1 Pocket (with Header)	<input type="checkbox"/>	12"	<input type="checkbox"/>	24"	<input type="checkbox"/>	10"	
	<input type="checkbox"/>	16"	<input type="checkbox"/>	20"	<input type="checkbox"/>	15"	
	<input type="checkbox"/>	20"	<input type="checkbox"/>	25"	<input type="checkbox"/>	20"	
	<input type="checkbox"/>	24"					
Cube Dimensions (Self Sealing) 2 Pocket	<input type="checkbox"/>	12"	<input type="checkbox"/>	24"	<input type="checkbox"/>	10"	
	<input type="checkbox"/>	16"	<input type="checkbox"/>	20"	<input type="checkbox"/>	15"	
	<input type="checkbox"/>	20"	<input type="checkbox"/>	25"	<input type="checkbox"/>	20"	
	<input type="checkbox"/>	24"					
Cube Dimensions 2 Pocket (with Header)	<input type="checkbox"/>	12"	<input type="checkbox"/>	24"	<input type="checkbox"/>	10"	
	<input type="checkbox"/>	16"	<input type="checkbox"/>	20"	<input type="checkbox"/>	15"	
	<input type="checkbox"/>	20"	<input type="checkbox"/>	25"	<input type="checkbox"/>	20"	
	<input type="checkbox"/>	24"					
Cube Dimensions (Self Sealing) 3 Pocket	<input type="checkbox"/>	12"	<input type="checkbox"/>	24"	<input type="checkbox"/>	10"	
	<input type="checkbox"/>	16"	<input type="checkbox"/>	20"	<input type="checkbox"/>	15"	
	<input type="checkbox"/>	20"	<input type="checkbox"/>	25"	<input type="checkbox"/>	20"	
	<input type="checkbox"/>	24"					
Cube Dimensions 3 Pocket (with Header)	<input type="checkbox"/>	12"	<input type="checkbox"/>	24"	<input type="checkbox"/>	10"	
	<input type="checkbox"/>	16"	<input type="checkbox"/>	20"	<input type="checkbox"/>	15"	
	<input type="checkbox"/>	20"	<input type="checkbox"/>	25"	<input type="checkbox"/>	20"	
	<input type="checkbox"/>	24"					