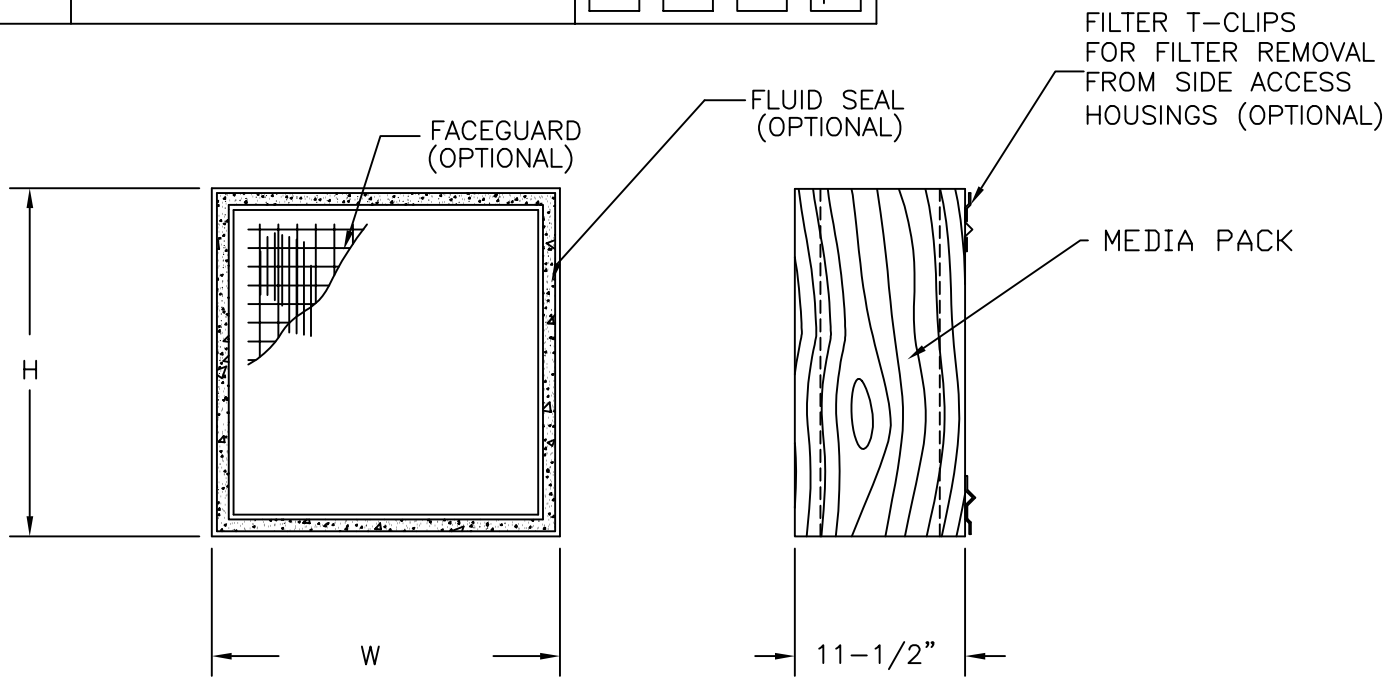


FRAME HARDWARE	T - FILTER EXTRACTION CLIPS	T -
FILTER MEDIUM	99.97% AT 0.3µm WATER RESISTANT GLASS	0 0 7 -
PACK STYLE	F - 8" PUREFORM C - ALUMINUM SEPARATORS	- -
FRAME MATERIAL	01 - 3/4" NON F.R. PLYWOOD 04 - 3/4" F.R. PLYWOOD 07 - 3/4" F.R. PARTICLEBOARD 11 - 3/4" NON F.R. PARTICLEBOARD	-
FRAME STYLE	05 - FLUID SEAL STYLE	0 5 -
PACK SEALANT	SOLID URETHANE FIRE RETARDANT	S U -
GASKET MATERIAL LOCATION	00 - NONE 51 - SILICONE BLU-JEL UPSTREAM 52 - SILICONE BLU-JEL DOWNSTREAM 61 - URETHANE GEL UPSTREAM 62 - URETHANE GEL DOWNSTREAM	-
FACEGUARD MATERIAL LOCATION	00 - NONE 11 - GALVANIZED UPSTREAM 12 - GALVANIZED DOWNSTREAM 13 - GALVANIZED BOTH SIDES 21 - STAINLESS STL. UPSTREAM 22 - STAINLESS STL. DOWNSTREAM 23 - STAINLESS STL. BOTH SIDES	-
SIZE CODE	GG-F - EXAMPLE SEE CHART	- F

SIZE DESIGNATORS &
RATED FLOW @ 1.0" W.G.

SIZE CODE	FILTER SIZE		RATED FLOW(CFM)
	HEIGHT	WIDTH	
CC-F	12"	12"	205
YU-F	23-3/8"	11-3/8"	425
GC-F	24"	12"	455
GE-F	24"	18"	725
YY-F	23-3/8"	23-3/8"	945
GG-F	24"	24"	1000
GN-F	24"	30"	1275



SPECIFICATIONS:

1. THE HEIGHT AND WIDTH TOLERANCE IS +0 /-1/8", SQ W/IN 1/8
2. THE DEPTH TOLERANCE IS +1/16" / -0
3. THE FILTER EFFICIENCY IS 99.99% AT 0.3 µm AT THE RATED FLOW
4. THE FILTER RESISTANCE IS 1.0" W.G. MAXIMUM AT THE RATED FLOW
5. THE FILTER SHALL BE SCAN TESTED AT 90 FPM ±10% WITH AN APPROVED AEROSOL FOR LEAKS.
6. THE MAXIMUM TEMPERATURE EXPOSURE IS 250° F
7. THE MAXIMUM R.H. IS 100%
8. CLASSIFIED BY UNDERWRITERS LABORATORIES TO FLAMMABILITY ONLY UL 900 CLASS 1.

TITLE: ALPHA CELL, WOOD FRAME, 99.99% EFFICIENT, FLUID SEAL	Flanders FLANDERS FILTERS, INC.	DRAWING NO. AC-08	CUSTOMER NAME: _____ PROJECT NAME: _____ PO NUMBER: _____
--	---	----------------------	---