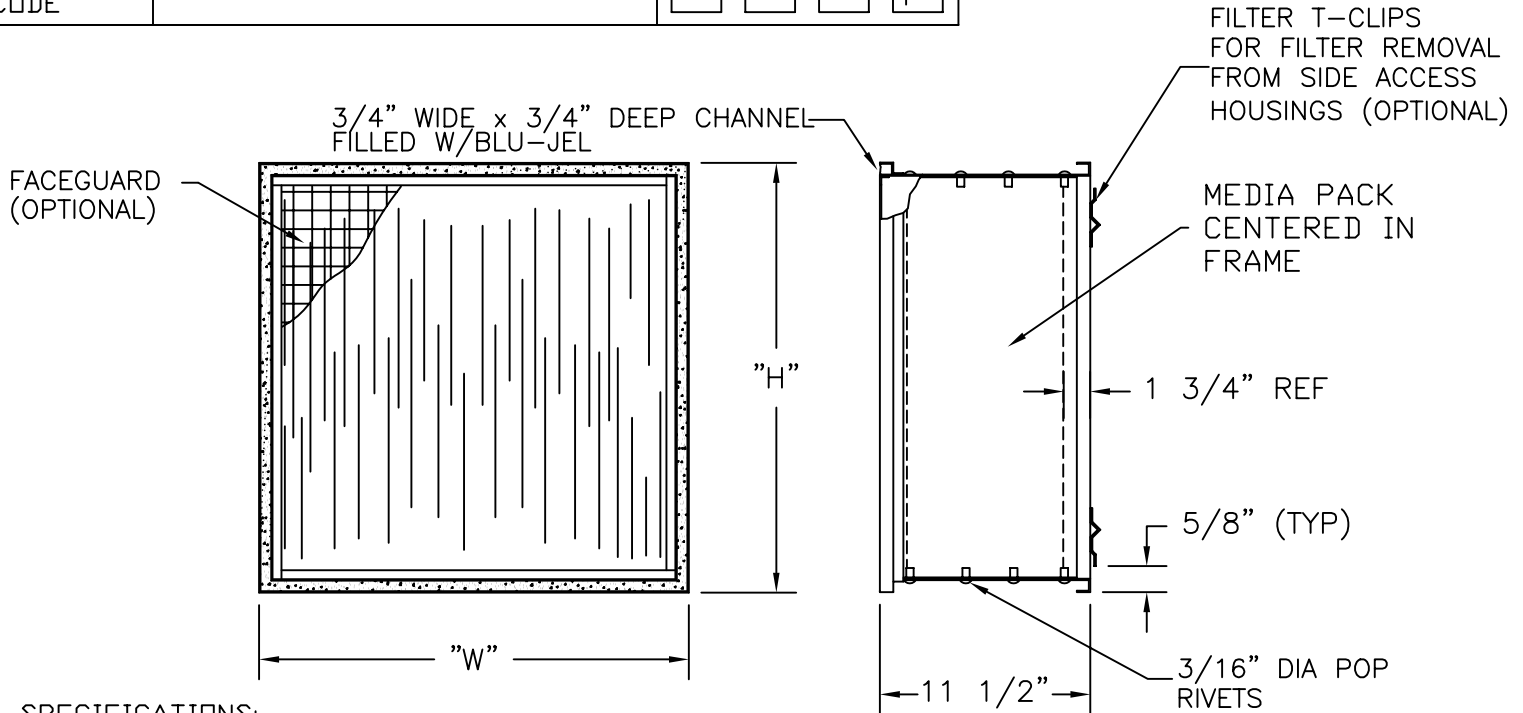


MODEL DESCRIPTION SAMPLE MODEL NO. 0-007-W-03-05-IU-51-00-GG-F

FRAME HARDWARE	NONE	0 -
FILTER MEDIUM	99.97% AT 0.3 μ m WATER RESISTANT GLASS	0 0 7 -
PACK STYLE	W - 11" PUREFORM	-
	H - ALUMINUM SEPARATORS	-
FRAME MATERIAL	02 - 16 GA T-409 S/S 03 - 16 GA T-304 S/S 05 - 0.063" ALUMINUM 08 - 16 GA GALVANEAL	-
FRAME STYLE	05 - FLUID SEAL CHANNEL	0 5 -
PACK SEALANT	SOLID URETHANE FIRE RETARDANT	I U -
GASKET MATERIAL LOCATION	00 - NONE 51 - SILICONE BLU-JEL UPSTREAM 52 - SILICONE BLU-JEL DOWNSTREAM 61 - URETHANE GEL UPSTREAM 62 - URETHANE GEL DOWNSTREAM	-
FACEGUARD MATERIAL LOCATION	00 - NONE 11 - GALVANIZED UPSTREAM 12 - GALVANIZED DOWNSTREAM 13 - GALVANIZED BOTH SIDES 21 - STAINLESS STL. UPSTREAM 22 - STAINLESS STL. DOWNSTREAM 23 - STAINLESS STL. BOTH SIDES	-
SIZE CODE	GG-F - EXAMPLE SEE CHART	- F

SIZE DESIGNATORS &
RATED FLOW @ 1.35" W.G.

SIZE CODE	FILTER SIZE		RATED FLOW(CFM)
	HEIGHT	WIDTH	
CC-F	12"	12"	430
YU-F	23-3/8"	11-3/8"	865
GC-F	24"	12"	920
GE-F	24"	18"	1380
YY-F	23-3/8"	23-3/8"	1900
GG-F	24"	24"	2000
GN-F	24"	30"	2500



SPECIFICATIONS:

1. THE HEIGHT AND WIDTH TOLERANCE IS +0 / -1/8", SQ W/IN 1/8
2. THE DEPTH TOLERANCE IS +1/16" / -0
3. THE FILTER EFFICIENCY IS 99.97% AT 0.3 m AT THE RATED FLOW
4. THE FILTER RESISTANCE IS 1.35" W.G. MAXIMUM AT THE RATED FLOW
5. THE MAXIMUM TEMPERATURE EXPOSURE IS 250° F
6. THE MAXIMUM R.H. IS 100%
7. CLASSIFIED BY UNDERWRITERS LABORATORIES TO FLAMMABILITY ONLY UL 900 CLASS 1.

TITLE:
ALPHA 2000, METAL FRAME, 99.97%
EFFICIENT, FLUID SEAL

Flanders
FLANDERS FILTERS, INC.

DRAWING NO.
AC-12

CUSTOMER NAME: _____
PROJECT NAME: _____
PO NUMBER: _____